



MODEL

WESTCOTT 3000

INSTALLATION SPECIFICATION SHEET

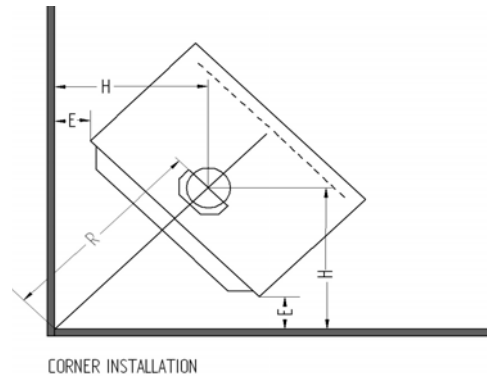
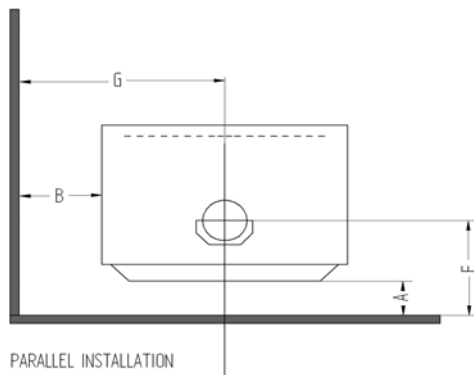
These instructions must be used in conjunction with the 'General Installation Instructions' for Masport wood fires.

CLEARANCE REQUIREMENTS

This fire has been tested and complies to the Australian/New Zealand Standard AS/NZS 2918:2001 and all installations must be in accordance with the minimum clearances to combustibles indicated in these instructions.

The minimum clearances to combustibles may be reduced if the combustible walls are shielded with an approved non-combustable material. Details of suitable materials and appropriate clearance reduction factors are present in Section 3 of AS/NZS 2918:2001.

POSITIONING YOUR FREE-STANDING WOODFIRE



NEW ZEALAND

MINIMUM DISTANCES TO HEAT SENSITIVE WALLS (mm)

| MODEL | FLUE HEAT SHIELD | A | B | E | F | G | H | R§ |
|---------------|------------------|---|---|---|---|---|---|----|
| NOT AVAILABLE | | | | | | | | |
| | | | | | | | | |
| | | | | | | | | |

AUSTRALIA

MINIMUM DISTANCES TO HEAT SENSITIVE WALLS (mm)

| MODEL | FLUE HEAT SHIELD | A | B | E | F | G | H | R§ |
|---------------|---------------------------------------|-----|-----|-----|-----|-----|-----|-----|
| WESTCOTT 3000 | HAWKWIND STD FLUE KIT | 350 | 450 | 200 | 458 | 770 | 503 | 711 |
| | AIR-GROUP SPECIAL INSULATED FLUE KIT* | 275 | 425 | 220 | 383 | 745 | 523 | 739 |
| | | | | | | | | |

§ Valid only when the room walls are at 90° to each other.

‡ Note: Clearances are for fire hazard only. For durability of finishes or surfaces you should contact the relevant manufacturer for their specification. Masport accepts no responsibility for the deterioration of surfaces or finishes.

See " INSTALLING THE FLUE " for recommended Australian flue systems.

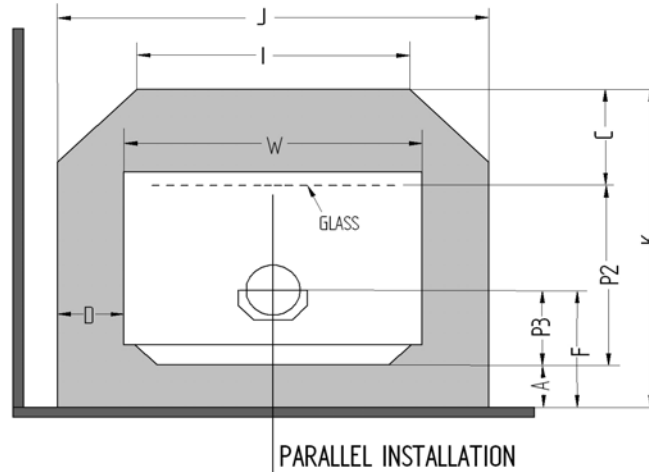
PRT. NO. 592005

DATE: 26.03.2012

* Air-Group Special Insulated Flue Kit is same as AHD Special Insulated Flue Kit

FLOOR PROTECTOR (Hearth) REQUIREMENTS PARALLEL INSTALLATION

MINIMUM FLOOR PROTECTOR DIMENSIONS IN mm



DIMENSIONS IN THE TABLE ARE VALID ONLY WHEN THE FIRE IS EXACTLEY AT ITS MINIMUM ALLOWABLE WALL CLEARANCE.

NEW ZEALAND

| MODEL | Flue Shield | Floor Protector height | A# | C# | D | F | I | J | K# | P2 | P3 | W | Floor Protector Type Ø |
|---------------|-------------|------------------------|----|----|---|---|---|---|----|----|----|---|------------------------|
| NOT AVAILABLE | | | | | | | | | | | | | |
| | | | | | | | | | | | | | |
| | | | | | | | | | | | | | |

AUSTRALIA - ALL WITH FLUE HEATSHIELD

| MODEL | Flue Shield | Floor Protector height | A# | C# | D | F | I | J | K# | P2 | P3 | W | Floor Protector Type Ø |
|---------------|-------------|------------------------|-----|-----|-----|-----|-----|-----|-----|-----|-----|-----|------------------------|
| WESTCOTT 3000 | HSF | | 350 | 300 | 143 | 458 | 625 | 925 | 988 | 338 | 108 | 640 | ASH |
| | AGA | | 275 | 300 | 143 | 383 | 625 | 925 | 913 | 338 | 108 | 640 | ASH1 |
| | | | | | | | | | | | | | |

HSF: HAWKWIND STD FLUE KIT

AGA: AIR GROUP / AHD SPECIAL INSULATED FLUE KIT WITH 900mm S/S REFLECTOR SHIELD

ASH: 8mm THICK FIBRE CEMENT BOARD OR SIMILAR, 0.8 m² K/W PER 4mm THICKNESS

ASH1: 12mm FIBRE CEMENT SHEET (0.8m² K / W PER 4mm SHEET THICKNESS

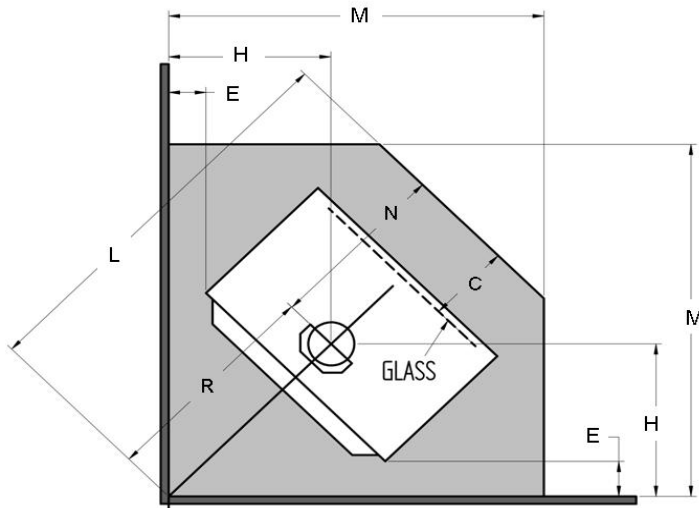
Ø for minimum constructional requirements see general installation instructions.

Valid only when the fire is exactly at its minimum allowable wall clearance.

NOTE: Where a fan is being fitted, you may prefer to increase the 'A' dimension to 100 mm to provide easier access for servicing. If so, the amount you add to 'A' to bring it to 100 mm must also be added to the 'C' and 'S' dimensions.

FLOOR PROTECTORS (Hearth) REQUIREMENTS CORNER INSTALLATION

MINIMUM FLOOR PROTECTOR DIMENSIONS IN mm



DIMENSIONS IN THE TABLE ARE VALID ONLY WHEN THE FIRE IS EXACTLEY AT ITS MINIMUM ALLOWABLE WALL CLEARANCE.

NEW ZEALAND

| MODEL | Flue Shield | Floor Protector Distance above Floor | C | E | H# | L# | M# | N | R# | FLOOR PROTECTOR TYPE |
|---------------|-------------|--------------------------------------|---|---|----|----|----|---|----|----------------------|
| NOT AVAILABLE | | | | | | | | | | |
| | | | | | | | | | | |
| | | | | | | | | | | |

AUSTRALIA

| MODEL | Flue Shield | Floor Protector Distance above Floor | C | E | H# | L# | M# | N | R# | FLOOR PROTECTOR TYPE |
|---------------|-------------|--------------------------------------|-----|-----|-----|------|------|-----|-----|----------------------|
| WESTCOTT 3000 | HFS | | 300 | 200 | 503 | 1241 | 1098 | 530 | 711 | ASH |
| | AGA | | 300 | 220 | 523 | 1269 | 1118 | 530 | 739 | ASH1 |
| | | | | | | | | | | |

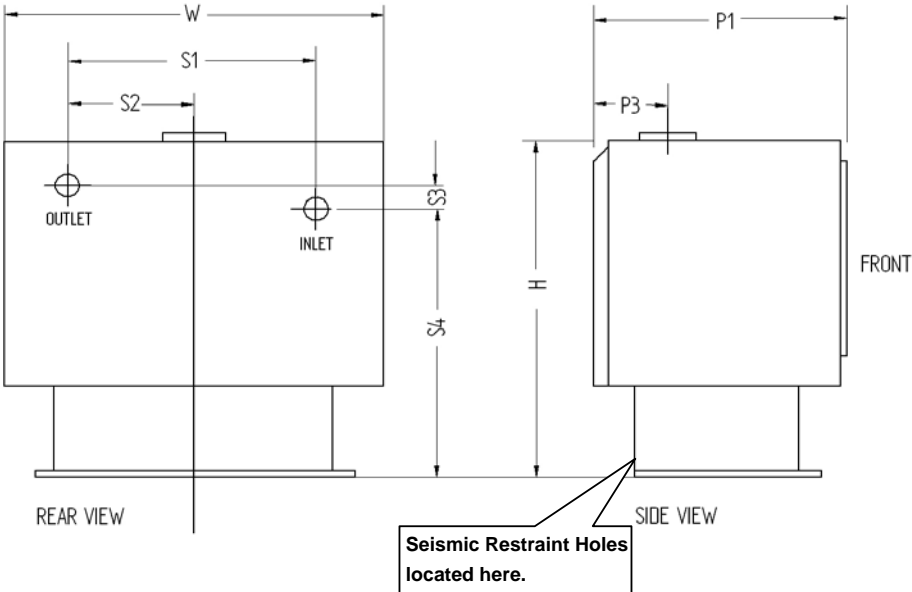
HSF: HAWKWIND STD FLUE KIT

AGA: AIR GROUP / AHD SPECIAL INSULATED FLUE KIT WITH 900mm S/S REFLECTOR SHIELD

ASH: 8mm THICK FIBRE CEMENT BOARD OR SIMILAR, 0.8 m² K/W PER 4mm THICKNESS

ASH1: 12mm FIBRE CEMENT SHEET (0.8m² K / W PER 4mm SHEET THICKNESS

FREE STANDING FIRE DIMENSIONS



| MODEL | | P1 | P3 | H | W | S1 | S2 | S3 | S4 |
|---------------|--|-----|-----|-----|-----|-----|-----|-----|-----|
| WESTCOTT 3000 | | 355 | 108 | 650 | 640 | N/A | N/A | N/A | N/A |

Seismic Restraint - In New Zealand and parts of Australia, it is required that the wood fire and floor protector are secured to prevent shifting in the event of an earthquake. This is best done by fastening the wood fire right through the protector to the floor, using two screws not less than 12 gauge or the equivalent of coach bolts or toggle fasteners.